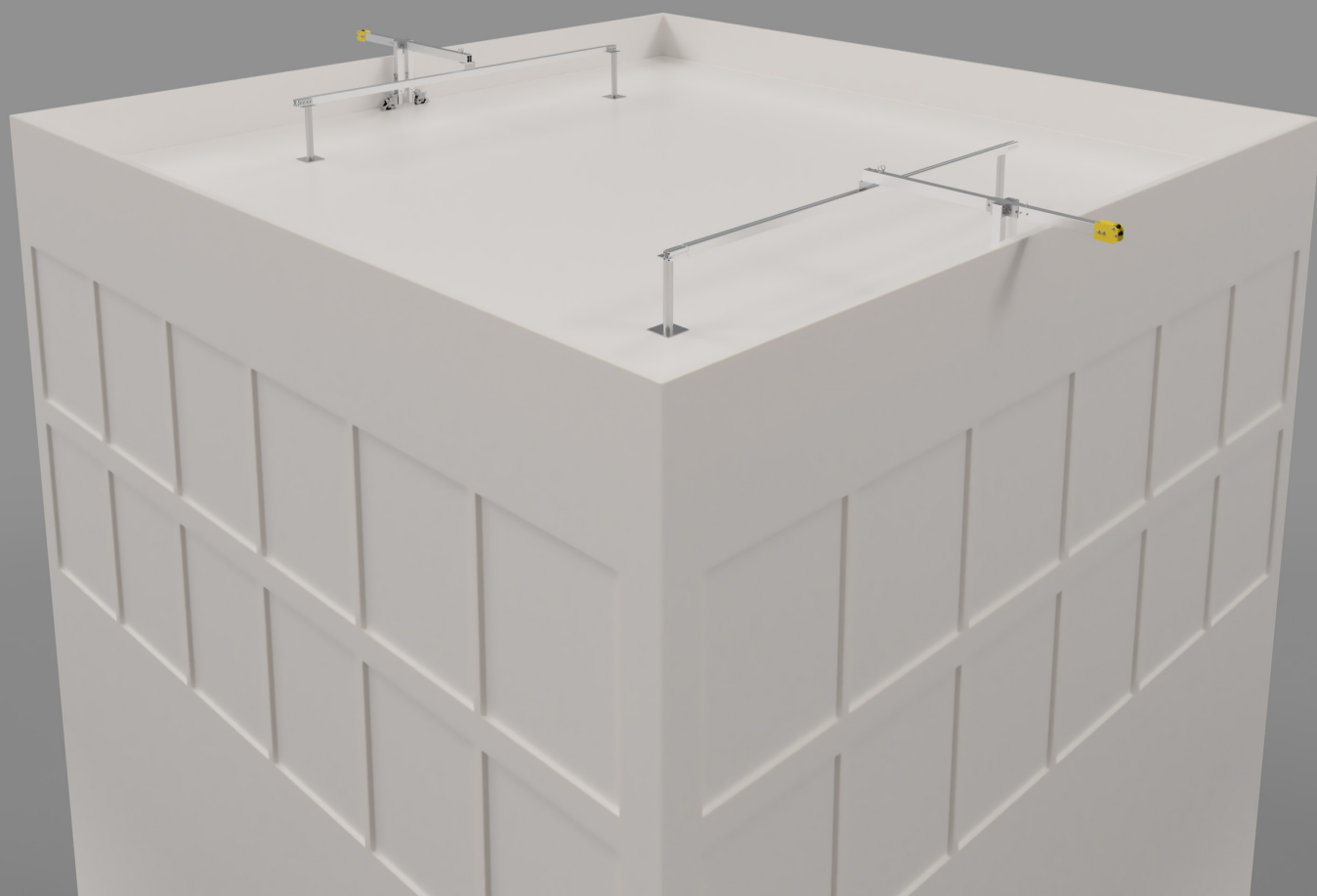


FACADE ACCESS



[SAYFAGROUP.CO.UK](http://SAYFAGROUP.CO.UK)

**SAYFA** 

**EDGEREIL™**

A FRAME TRACK DAVIT

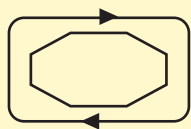
# DAVIT TRACK SYSTEM FOR FACADE ACCESS AND HEIGHT SAFETY

The EdgeReil™ A Frame Track Davit (patent pending) is an evolution of a socketed Davit solution for abseiling. It allows the users continuous horizontal and vertical access on the building facade.

An A Frame introduces a compressive load scenario, which reduces the turning moment and forces to the roof slab or building steel work. The removable davit boom or shoulder ensures the system has minimal visual impact when not in operation and can be finished anodized or powder-coated to correspond with the facade.

## 20x

FASTER TO  
OPERATE THAN  
POSTS OR SOCKETS



CONTINUOUS  
VERTICAL AND  
HORIZONTAL ACCESS



THIRD PARTY  
APPROVED AND  
TESTED



2 USER TESTED - 21kN  
RATED



SAFER ROPE DEVIATION



REDUCED FORCES TO THE  
ROOF



FLEXIBLE DESIGN TO SUIT  
ANY BUILDING LAYOUT



CONTINUOUS SYSTEM



30 YEAR WARRANTY  
AVAILABLE WITH SAYFA+



## PRODUCT INFORMATION

The EdgeReil™ A Frame system is a combined track and davit product manufactured from interlocking structural aluminium sections, with connecting 316 stainless steel bearing based travellers.

With options to 'free wheel' or manually lift and lock in position, the access times are significantly reduced compared to socketed davits.

The height of the A Frame can be varied to ensure the system

provides clearances above the parapet to prevent the need to include service or factored load requirements in the building design.

EdgeReil™ is typically supplied to project specific requirements and pre-assembled for quick and easy installation on site.

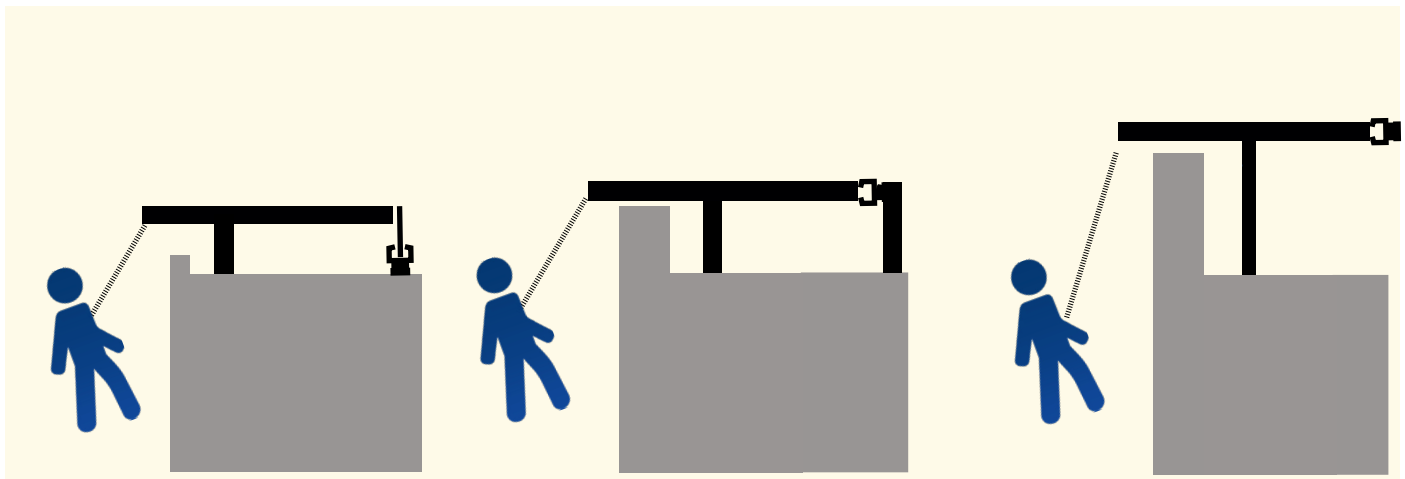
The EdgeReil™ removable Davit shoulder or boom ensures the system can be installed with low visual impact from above or below the roof.

The system is most suitable for high-rise residential and hotels as well as student accommodation and office buildings.

The wheeled version requires either a membrane or paver roof finish, whilst the manual can be used with green and ballast type roofs.

With 6m fixing centres the system can be lower cost than conventional davit sockets but with lower ongoing LOLER and cleaning or maintenance costs.

## APPLICATIONS



FIXED TO THE  
DECK

FIXED TO A POST

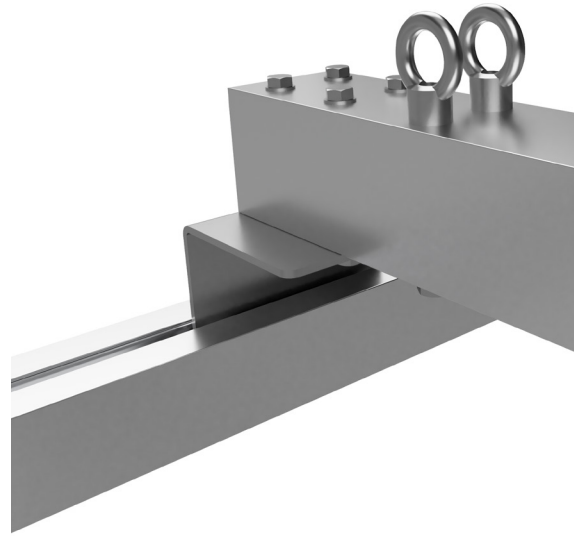
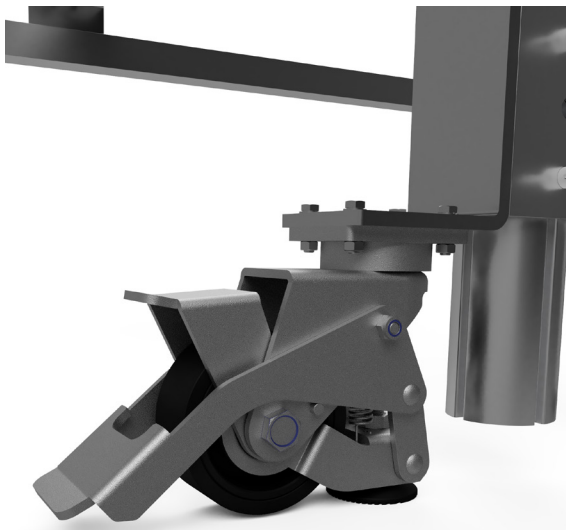
FIXED TO UC /  
PRIMARY STEEL

## LINKED SYSTEMS

EDGESEIL RAIL

FULLSECURE TRACK

EDGESEIL DAVIT



*“The versatility of the Sayfa abseil rail system was a key aspect of the product selection. The experience, knowledge and commitment of the team helped us achieve successful delivery of the project”*

Design Manager, Hilton Curio London

## DESIGN & INSPECTION

All systems should be designed and installed by an experienced contractor.

Typical details, BIM files and technical data sheets are available however project specific guidance can be provided too.

The factored forces can be as high as 15 - 21kN depending on the number of users for the system.

It is a legal requirement for these systems to be tested, maintained and certified annually.

This must be performed by a trained and competent individual at least once every 6 months or sooner if subject to adverse conditions or use.

Approved partners for the design, installation and retest works are available

on the Sayfa Group website.

These partners are trained by Sayfa Group and will help keep you compliant with detailed reporting and testing according to BS7883:2019 requirements.

Warranty Applications and Operating Manuals are also available from the Sayfa Group Web Site.



## GET IN TOUCH

SAYFAGROUP.CO.UK

ENQUIRIES@SAYFAGROUP.CO.UK

UNIT B1 - RESEARCH POINT  
SHEPSHED,  
LEICESTERSHIRE,  
LE12 9NH

+44 1509 509 273

