

FACADE ACCESS



SAYFAGROUP.CO.UK

SAYFA 

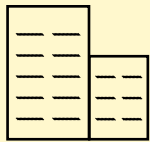
EDGESEIL™

DAVIT ARM SYSTEM

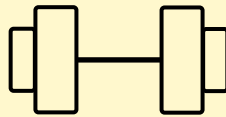
TOOL FREE ROPE DEVIATION FOR ABSEIL

The Working At Height 2005 Act necessitates a safe system of work at height for maintenance of all buildings. Davit systems are now an essential solution for Cleaning & Maintenance Strategies.

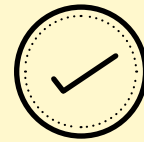
The EdgeSeil™ Davit is a three piece rope deviation point designed for lifting and lowering personnel or materials. It complies with EN795:2012, PD CEN/TS 16415 and BS8610:2017.



PART OF A FULL
EDGESEIL PRODUCT
FAMILY



HIGH STRENGTH
LONG LIFE
MATERIALS



THIRD PARTY
APPROVED AND
TESTED



HORIZONTAL OUTREACH
1500 - 3000MM



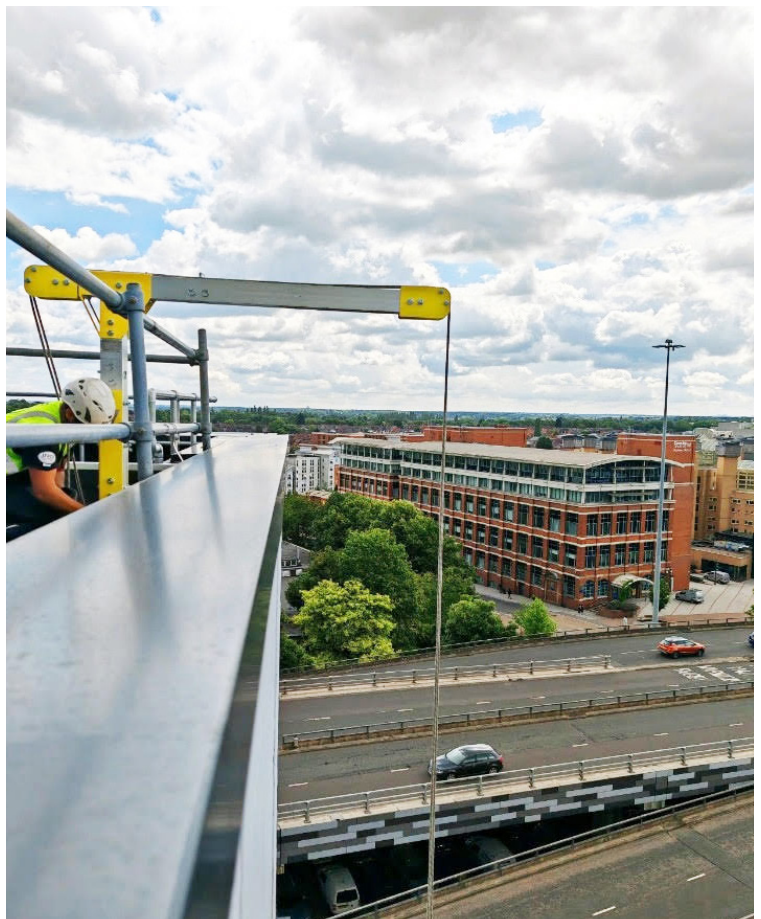
VERTICAL HEIGHT 1500 -
3000MM



SAFER ROPE DEVIATION



VARIOUS BASE OPTIONS
FOR EACH APPLICATION



PRODUCT INFORMATION

The Sayfa EdgeSeil™ Davit is manufactured from 6082-T6 structural aluminium and polyester powder coated 304 grade stainless steel.

Assembled from component form for quick, easy, and safe operation with A4 grade stainless steel pins. The davit insert slots to the bottom of the socket.

The unit provides clear deviation and tie points for the abseil line and P66 grade nylon rollers

for smooth operation.

The range is available in increments of 500mm in height and reach, up to a 2500mm for each. The size of the arm's height and outreach is dependent on the height of the parapet and proximity of the base to the building edge.

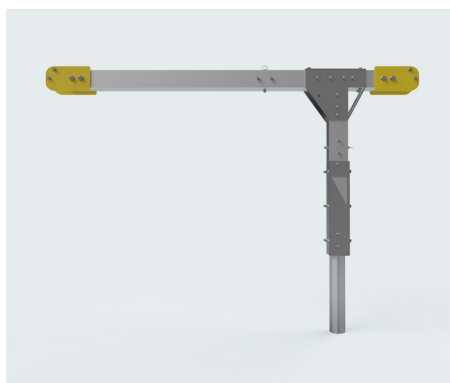
The weight of individual assemblies can be limited to 25kg, although typical the shoulder section is between 36kg - 50kg, with rope access

technicians typically in a team of 3 for safe lifting.

EdgeSeil™ Davit is independently tested and certified by SATRA. Manufactured from anodised structural aluminium and satin finish 316 stainless steel.

Depending on specification, service life varies from 20 to 60 years, with warranties between 10 and 30 years.

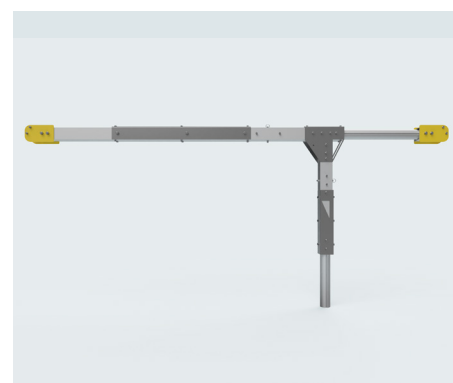
STANDARD DAVIT DIMENSIONS



ESD1500.1500.2U



ESD2000.1500.2U



ESD2500.1500.2U

1500mmx1500mm

2000mmx1500mm

2500mmx1500mm

1500mmx2000mm

2000mmx2000mm

2500mmx2000mm

1500mmx2500mm

2000mmx2500mm

2500mmx2500mm

ATTACHMENTS

Ladder + Platform Attachment



The ladder + platform attachment for the davit arm is available for use with all arm heights and outreaches. The purpose of the platform + ladder is to allow the user access to the building facade over any non-load bearing parapet and glazed balustrading.

Winch Bracket Attachment



The Winch Bracket is available as an attachment for the davit arm which allows for easy instalment of a manual or motorised winch. The bracket is mounted on the upright of the Davit for easy access to the winch handle for raising and lowering the materials.

Winches are used to move goods and materials along a building facade.

DESIGN & INSPECTION

All systems should be designed and installed by an experienced contractor.

Typical details, BIM files and technical data sheets are available however project specific guidance can be provided too.

The factored forces can be as high as 15 - 21kN depending on the number of users for the system.

It is a legal requirement for these systems to be tested, maintained and certified annually.

This must be performed by a trained and competent individual at least once every 6 months or sooner if subject to adverse conditions or use.

Approved partners for the design, installation and retest works are available

on the Sayfa Group website.

These partners are trained by Sayfa Group and will help keep you compliant with detailed reporting and testing according to BS7883:2019 requirements.

Warranty Applications and Operating Manuals are also available from the Sayfa Group Web Site.

“We selected Sayfa Products as part of our supply, not just because they are fully tested and compliant, but because they back that up with support through the entire project life cycle”

Technical Manager, UK Leading Specialist Height Safety



GET IN TOUCH

SAYFAGROUP.CO.UK

ENQUIRIES@SAYFAGROUP.CO.UK

UNIT B1 - RESEARCH POINT
SHEPSHED,
LEICESTERSHIRE,
LE12 9NH

+44 1509 509 273

