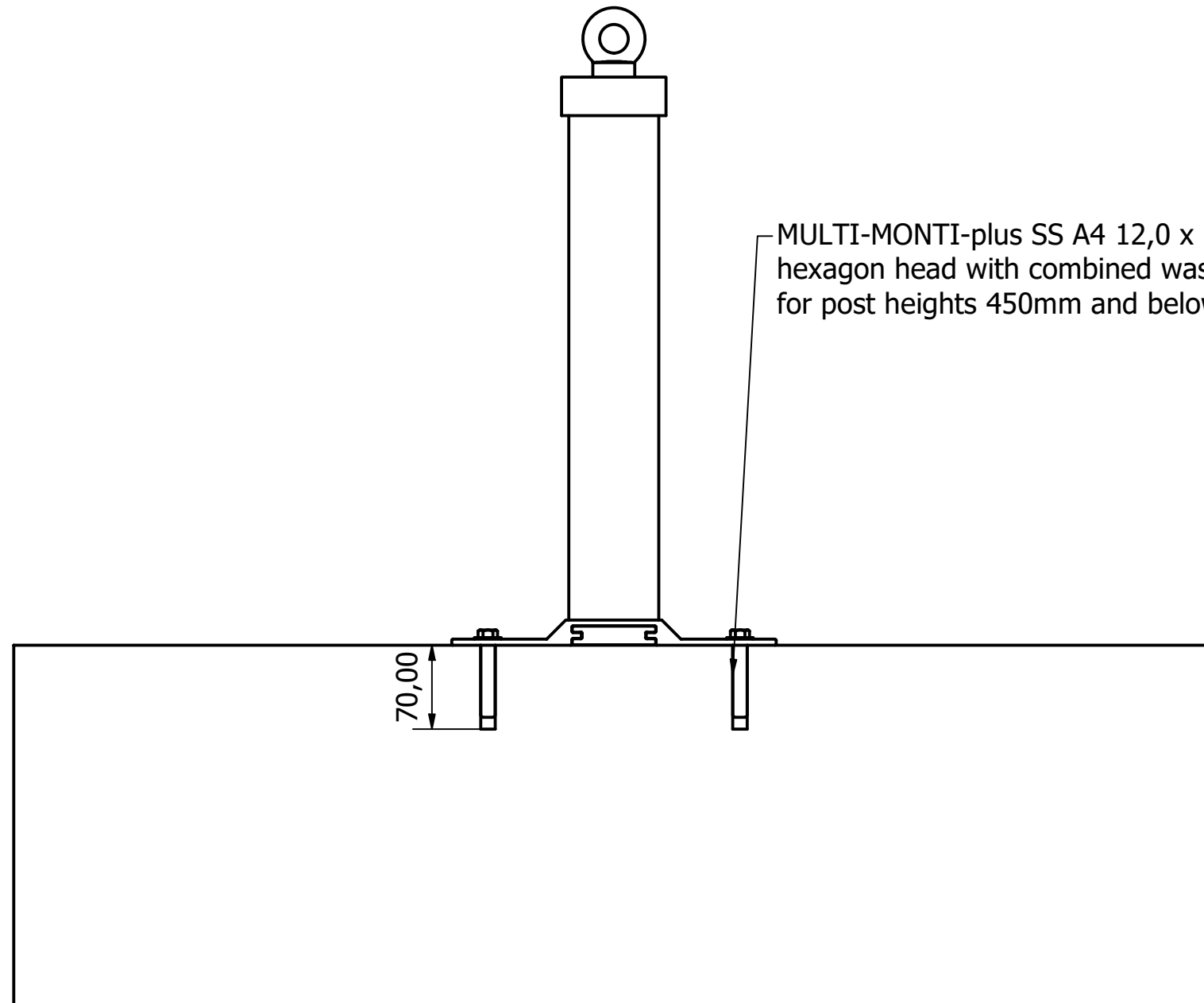


WEATHERING BOOT DETAIL



MULTI-MONTI-plus SS A4 12,0 x 65,
hexagon head with combined washer
for post heights 450mm and below.

JUBILEE HOUSE
UNIT 3, GELDERS HALL ROAD
SHERSHED LEICESTERSHIRE
LE12 9NH

TEL: 01509 502 155
WWW.SAYFAGROUP.CO.UK



FIRST ANGLE
PROJECTION

DIMENSIONS IN MM

DO NOT SCALE

IF IN DOUBT, ASK

TOLERANCES ON THIS DRAWING
UNLESS OTHERWISE STATED
NO DECIMAL PLACE +/- 0.25
ONE DECIMAL PLACE +/- 0.1
TWO DECIMAL PLACES +/- 0.05
ANGLES +/- 0.25°

- COMPARE PARTS WITH THIS DRAWING AND READ ALL INSTRUCTIONS BEFORE COMMENCING WORK.
- MAKE NO DEVIATION FROM THIS DRAWING WITHOUT CONSULTING SAYFA SYSTEMS UK.

P1	Issued for comments	18/01/2023	S.A	T.K
REV	DESCRIPTION	DATE	DESIGNER	CHECKED BY

REVISION HISTORY

STATUS:

Approved

CLIENT:

Sayfa

PROJECT TITLE:

Fallsecure

DRAWING TITLE:

Fallsecure post fixing details

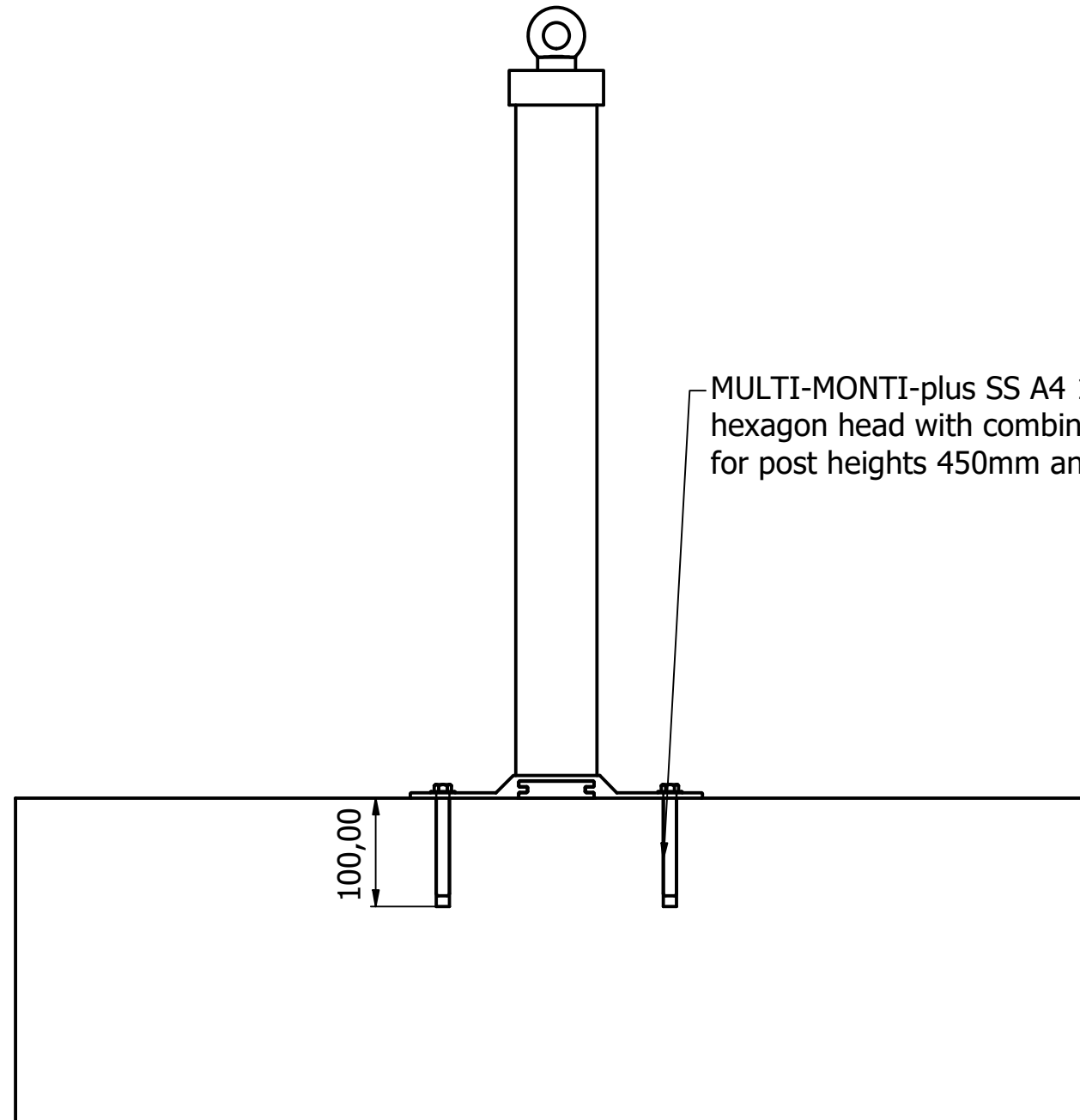
Released By:

- S4 Issue Status not to be given without digital or wet signature by an approved officer of the company covered under the insurance.
- Project not to proceed without Status A from the Client.

Scale @ A3: 1:8	Date: 05/04/2022	Drawn By: S.A	Checked By: T.K
--------------------	---------------------	------------------	--------------------

Drawing No:	Revision: P1
-------------	-----------------

PITCH POCKETING DETAIL



JUBILEE HOUSE
UNIT 3, GELDERS HALL ROAD
SHERSHED LEICESTERSHIRE
LE12 9NH

TEL: 01509 502 155
WWW.SAYFAGROUP.CO.UK



FIRST ANGLE
PROJECTION

DIMENSIONS IN MM

DO NOT SCALE

IF IN DOUBT, ASK

TOLERANCES ON THIS DRAWING
UNLESS OTHERWISE STATED
NO DECIMAL PLACE +/- 0.25
ONE DECIMAL PLACE +/- 0.1
TWO DECIMAL PLACES +/- 0.05
ANGLES +/- 0.25°

- COMPARE PARTS WITH THIS DRAWING AND READ ALL INSTRUCTIONS BEFORE COMMENCING WORK.
- MAKE NO DEVIATION FROM THIS DRAWING WITHOUT CONSULTING SAYFA SYSTEMS UK.

REV	DESCRIPTION	DATE	DESIGNER	CHECKED BY
P1	Issued for comments	18/01/2023	S.A	T.K

REVISION HISTORY

STATUS:

Approved

CLIENT:

Sayfa

PROJECT TITLE:

Fallsecure

DRAWING TITLE:

Fallsecure post fixing details

Released By:

- S4 Issue Status not to be given without digital or wet signature by an approved officer of the company covered under the insurance.
- Project not to proceed without Status A from the Client.

Scale @ A3: 1:8	Date: 05/04/2022	Drawn By: S.A	Checked By: T.K
Drawing No:	Revision: P1		