



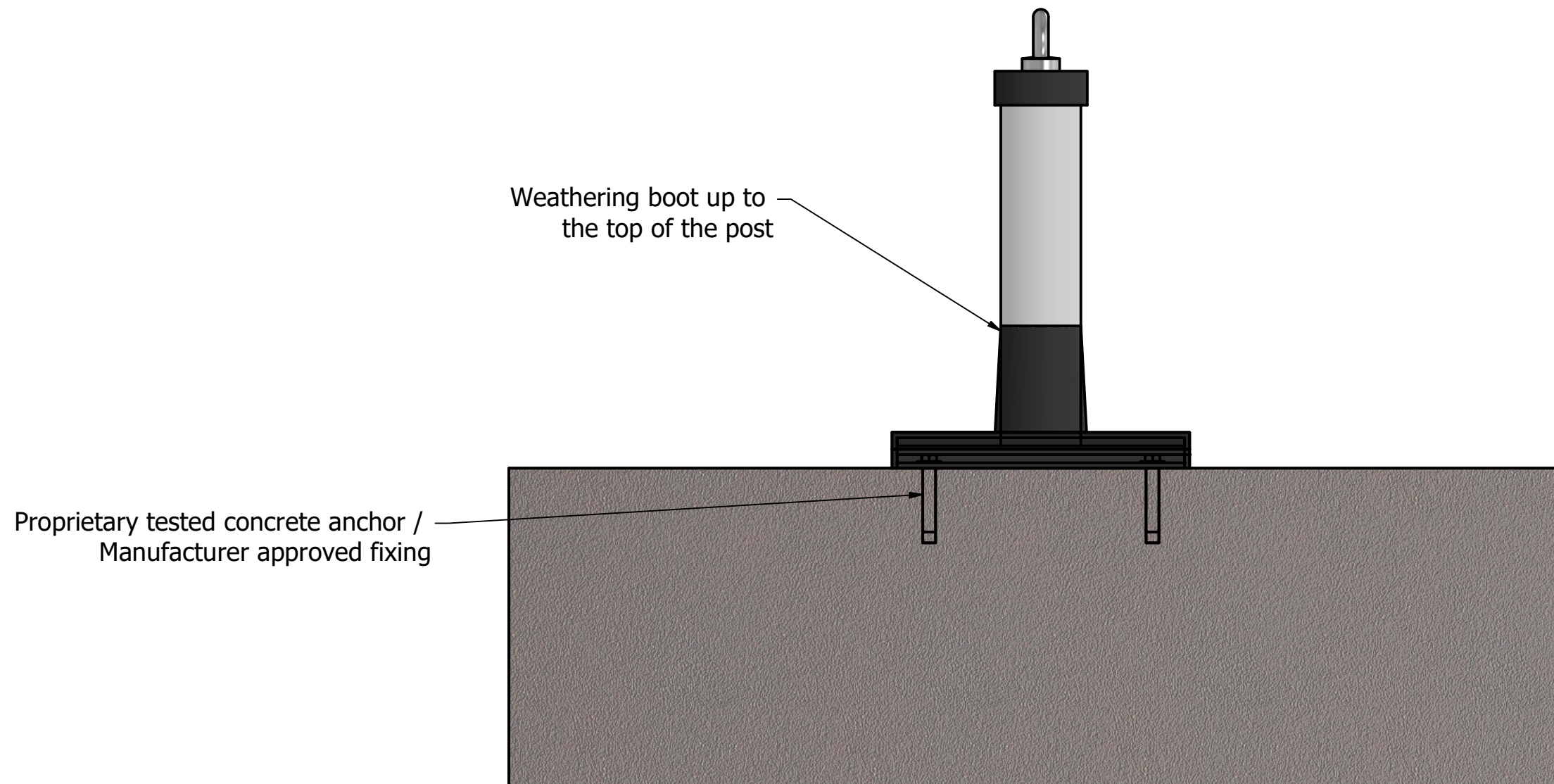
FIRST ANGLE
PROJECTION

DIMENSIONS IN MM
DO NOT SCALE
IF IN DOUBT, ASK

TOLERANCES ON THIS DRAWING
UNLESS OTHERWISE STATED
NO DECIMAL PLACE +/- 0.25
ONE DECIMAL PLACE +/- 0.1
TWO DECIMAL PLACES +/- 0.05
ANGLES +/- 0.25°

- COMPARE PARTS WITH THIS DRAWING AND READ ALL INSTRUCTIONS BEFORE COMMENCING WORK.
- MAKE NO DEVIATION FROM THIS DRAWING WITHOUT CONSULTING SAYFA GROUP.

WEATHERING BOOT DETAIL



P2	Fixing detail changed	23/03/2023	S.A	T.K
P1	Issued for comments	18/01/2023	S.A	T.K
REV	DESCRIPTION	DATE	DESIGNER	CHECKED BY

REVISION HISTORY

STATUS:
Approved

CLIENT:
Sayfa

PROJECT TITLE:
Fallsecure

DRAWING TITLE:
Fallsecure post fixing details

Released By:

- S4 Issue Status not to be given without digital or wet signature by an approved officer of the company covered under the insurance.
- Project not to proceed without Status A from the Client.

Scale @ A3: 1:5 Date: 05/04/2022 Drawn By: S.A Checked By: T.K

Drawing No: Revision: P2



FIRST ANGLE
PROJECTION

DIMENSIONS IN MM

DO NOT SCALE

IF IN DOUBT, ASK

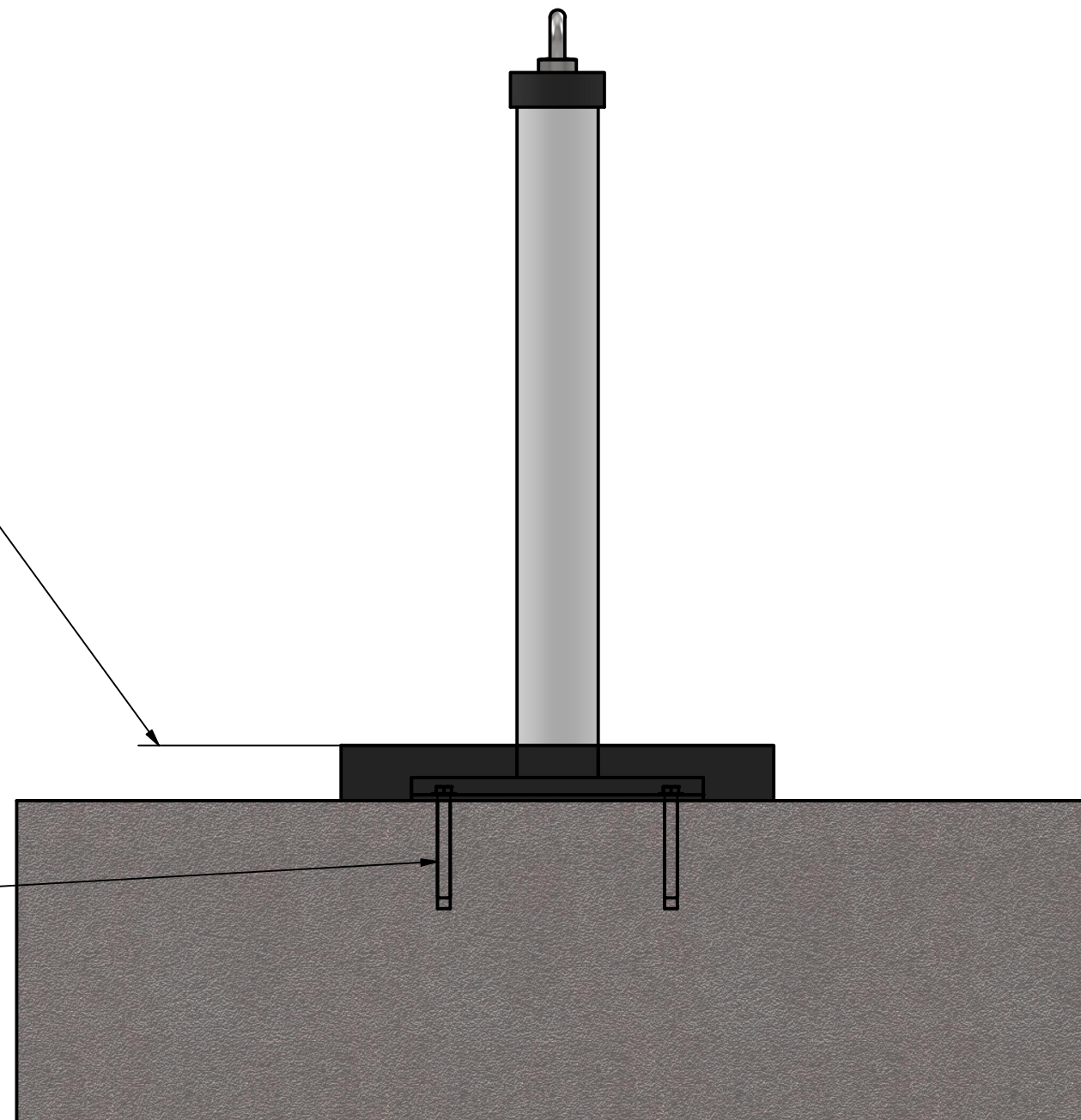
TOLERANCES ON THIS DRAWING
UNLESS OTHERWISE STATED
NO DECIMAL PLACE +/- 0.25
ONE DECIMAL PLACE +/- 0.1
TWO DECIMAL PLACES +/- 0.05
ANGLES +/- 0.25°

- COMPARE PARTS WITH THIS DRAWING AND READ ALL INSTRUCTIONS BEFORE COMMENCING WORK.
- MAKE NO DEVIATION FROM THIS DRAWING WITHOUT CONSULTING SAYFA GROUP.

PITCH POCKETING DETAIL

Typical pitch pocket detail

Proprietary tested concrete anchor /
Manufacturer approved fixing



P2	Fixing detail changed	23/03/2023	S.A	T.K
P1	Issued for comments	18/01/2023	S.A	T.K
REV	DESCRIPTION	DATE	DESIGNER	CHECKED BY

REVISION HISTORY

STATUS:

Approved

CLIENT:

Sayfa

PROJECT TITLE:

Fallsecure

DRAWING TITLE:

Fallsecure post fixing details

Released By:

- S4 Issue Status not to be given without digital or wet signature by an approved officer of the company covered under the insurance.
- Project not to proceed without Status A from the Client.

Scale @ A3: 1:6	Date: 05/04/2022	Drawn By: S.A	Checked By: T.K
Drawing No:	Revision:		P2